

Installation Note

Passive to Active Measurement Configuration Upgrade Kit

Upgrade Kit Number: N5230-60103

**For N5230A 20 GHz, 2-Port, Passive Measurement Configuration,
Microwave Network Analyzers**

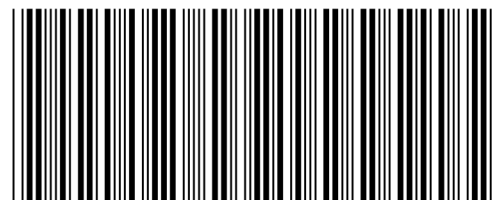


Agilent Technologies

Agilent Part Number: N5230-90005

Printed in USA June 2004

© Agilent Technologies, Inc. 2004



N5230-90005

WARRANTY STATEMENT

THE MATERIAL CONTAINED IN THIS DOCUMENT IS PROVIDED “AS IS,” AND IS SUBJECT TO BEING CHANGED, WITHOUT NOTICE, IN FUTURE EDITIONS. FURTHER, TO THE MAXIMUM EXTENT PERMITTED BY APPLICABLE LAW, AGILENT DISCLAIMS ALL WARRANTIES, EITHER EXPRESS OR IMPLIED WITH REGARD TO THIS MANUAL AND ANY INFORMATION CONTAINED HEREIN, INCLUDING BUT NOT LIMITED TO THE IMPLIED WARRANTIES OF MERCHANTABILITY AND FITNESS FOR A PARTICULAR PURPOSE. AGILENT SHALL NOT BE LIABLE FOR ERRORS OR FOR INCIDENTAL OR CONSEQUENTIAL DAMAGES IN CONNECTION WITH THE FURNISHING, USE, OR PERFORMANCE OF THIS DOCUMENT OR ANY INFORMATION CONTAINED HEREIN. SHOULD AGILENT AND THE USER HAVE A SEPARATE WRITTEN AGREEMENT WITH WARRANTY TERMS COVERING THE MATERIAL IN THIS DOCUMENT THAT CONFLICT WITH THESE TERMS, THE WARRANTY TERMS IN THE SEPARATE AGREEMENT WILL CONTROL.

DFARS/Restricted Rights Notice

If software is for use in the performance of a U.S. Government prime contract or subcontract, Software is delivered and licensed as “Commercial computer software” as defined in DFAR 252.227-7014 (June 1995), or as a “commercial item” as defined in FAR 2.101(a) or as “Restricted computer software” as defined in FAR 52.227-19 (June 1987) or any equivalent agency regulation or contract clause. Use, duplication or disclosure of Software is subject to Agilent Technologies’ standard commercial license terms, and non-DOD Departments and Agencies of the U.S. Government will receive no greater than Restricted Rights as defined in FAR 52.227-19(c)(1-2) (June 1987). U.S. Government users will receive no greater than Limited Rights as defined in FAR 52.227-14 (June 1987) or DFAR 252.227-7015 (b)(2) (November 1995), as applicable in any technical data.

Safety Notes

The following safety notes are used throughout this document. Familiarize yourself with each of these notes and its meaning before performing any of the procedures in this document.

| | |
|----------------|---|
| WARNING | Warning denotes a hazard. It calls attention to a procedure which, if not correctly performed or adhered to, could result in injury or loss of life. Do not proceed beyond a warning note until the indicated conditions are fully understood and met. |
|----------------|---|

| | |
|----------------|---|
| CAUTION | Caution denotes a hazard. It calls attention to a procedure that, if not correctly performed or adhered to, could result in damage to or destruction of the instrument. Do not proceed beyond a caution sign until the indicated conditions are fully understood and met. |
|----------------|---|

Getting Assistance from Agilent

By internet, phone, or fax, get assistance with all your test and measurement needs.

| | | | |
|--|---|---|--|
| Online assistance: www.agilent.com/find/assist | | | |
| Americas | | | |
| Brazil (tel) (+55) 11 4197 3700 (fax) (+55) 11 4197 3800 | Canada (tel) 888 447 7378 | Mexico (tel) 1 800 734 7703 (fax) 1 800 734 7704 | United States (tel) 800 829 4444 (alt) (+1) 303 662 3998 (fax) 800 829 4433 |
| Asia Pacific and Japan | | | |
| Australia (tel) 1 800 225 574 (alt) 1 800 893 449 (fax) 1 800 681 776 (fax) 1 800 225 539 | China (tel) 800 810 0508 (alt) 800 810 0510 (fax) 800 810 0507 (fax) 800 810 0362 | Hong Kong (tel) 800 933 229 (fax) 800 900 701 | India (tel) 1600 112 929 (alt) 1600 112 626 (fax) 1600 112 727 (fax) 1600 113 040 |
| Japan (Bench) (tel) 0120 32 0119 (alt) (+81) 426 56 7799 (fax) 0120 01 2144 | Japan (On-Site) (tel) 0120 802 363 (alt) (+81) 426 56 7498 (fax) (+81) 426 60 8953 | Singapore (tel) 1 800 275 0880 (fax) (+65) 6836 0240 (fax) (+65) 6755 1235 (fax) (+65) 6755 1214 | South Korea (tel) 080 770 7774 (tel) 080 778 0011 (tel) 080 778 0012 (alt) +65 270 1207 (fax) 080 778 0013 (fax) +82 080 778-0014 (fax) 080 770 7778 |
| Taiwan (tel) 0800 047 661 (tel) 0800 047 669 (fax) 0800 047 667 | Thailand (tel) 1 800 2758 5822 (alt) (+66) 259 3442 (fax) 1 800 656 336 | Malaysia (tel) 1800 880 399 (fax) 1800 801 054 | |
| Europe | | | |
| Austria (tel) 0820 87 44 11* (fax) 0820 87 44 22 | Belgium (tel) (+32) (0)2 404 9340 (alt) (+32) (0)2 404 9000 (fax) (+32) (0)2 404 9395 | Denmark (tel) (+45) 7013 1515 (alt) (+45) 7013 7313 (fax) (+45) 7013 1555 | Finland (tel) (+358) 10 855 2100 (fax) (+358) 10 855 2923 |
| France (tel) 0825 010 700* (alt) (+33) (0)1 6453 5623 (fax) 0825 010 701* | Germany (tel) 01805 24 6333* (alt) 01805 24 6330* (fax) 01805 24 6336* | Ireland (tel) (+353) (0)1 890 924 204 (alt) (+353) (0)1 890 924 206 (fax) (+353) (0)1 890 924 024 | Israel (tel) (+972) 3 9288 500 (fax) (+972) 3 9288 501 |
| Italy (tel) (+39) (0)2 9260 8484 (fax) (+39) (0)2 9544 1175 | Luxemburg (tel) (+32) (0)2 404 9340 (alt) (+32) (0)2 404 9000 (fax) (+32) (0)2 404 9395 | Netherlands (tel) (+31) (0)20 547 2111 (alt) (+31) (0)20 547 2000 (fax) (+31) (0)20 547 2190 | Russia (tel) (+7) 095 797 3963 (alt) (+7) 095 797 3900 (fax) (+7) 095 797 3901 |
| Spain (tel) (+34) 91 631 3300 (alt) (+34) 91 631 3000 (fax) (+34) 91 631 3301 | Sweden (tel) 0200 88 22 55* (alt) (+46) (0)8 5064 8686 (fax) 020 120 2266* | Switzerland (French) (tel) 0800 80 5353 opt. 2* (alt) (+33) (0)1 6453 5623 (fax) (+41) (0)22 567 5313 | Switzerland (German) (tel) 0800 80 5353 opt. 1* (alt) (+49) (0)7031 464 6333 (fax) (+41) (0)1 272 7373 |
| Switzerland (Italian) (tel) 0800 80 5353 opt. 3* (alt) (+39) (0)2 9260 8484 (fax) (+41) (0)22 567 5314 | United Kingdom (tel) (+44) (0)7004 666666 (alt) (+44) (0)7004 123123 (fax) (+44) (0)7004 444555 | | |
| (tel) = primary telephone number; (alt) = alternate telephone number; (fax) = FAX number; * = in country number | | | |

Description of the Upgrade

This upgrade converts your passive measurement configuration analyzer to an active measurement configuration analyzer by adding Option 014, Configurable Test Set and Option 1E1, Source Attenuators.

Option 014, Configurable Test Set adds the additional cabling necessary to allow your analyzer to perform measurements on high power devices and on devices with high dynamic range.

Option 1E1, Source Attenuators adds a 60-dB step attenuator in the signal path of each of the measurement ports. These attenuators are used to adjust the power level (in 10 dB steps) to the device under test (DUT) without changing the power in the reference path.

About Installing the Upgrade

| | |
|---|---|
| Products affected | N5230A; 20 GHz, 2-port, passive measurement configuration |
| Installation to be performed by | Agilent service center or personnel qualified by Agilent |
| Estimated installation time | 2 hours |
| Estimated verification time | 5 minutes |

Items Included in the Upgrade Kit

Check the contents of your kit against the following list. If any part is missing or damaged, contact Agilent Technologies. Refer to [“Getting Assistance from Agilent” on page 3](#).

Table 1 Contents of Upgrade Kit N5230-60103

| Ref Desig. | Description | Qty | Part Number |
|------------|--|-----|-------------|
| | Installation note (this document) | 1 | N5230-90005 |
| A25, A26 | 0–60 dB step attenuator | 2 | 33325-60004 |
| | Attenuator bracket | 2 | E8364-00002 |
| | Machine screw, M3 x 8, pan head (to attach attenuator to bracket) | 4 | 0515-0372 |
| | Machine screw, M3 x 6, pan head (to attach bracket to analyzer) | 6 | 0515-0430 |
| | Ribbon cable, A25 step attenuator to A16 test set motherboard P510 | 1 | 8121-0819 |
| | Ribbon cable, A26 step attenuator to A16 test set motherboard P512 | 1 | 8121-0119 |
| | Cable tie (to secure cables W47 and W51 to the side frame) | 4 | 1400-0249 |
| | Lower front panel overlay (for active measurement configuration) | 1 | N5230-80005 |
| W40 | RF cable, A17 MASS 26.5 to A25 port 1 step attenuator | 1 | N5230-20011 |
| W41 | RF cable, A17 MASS 26.5 to A26 port 2 step attenuator | 1 | N5230-20012 |
| W42 | RF cable, A25 port 1 step attenuator to PORT 1 SOURCE OUT | 1 | E8362-20024 |
| W43 | RF cable, A26 port 2 step attenuator to PORT 2 SOURCE OUT | 1 | E8362-20025 |
| W44 | RF cable, PORT 1 CPLR THRU to A21 test port 1 coupler | 1 | N5230-20045 |
| W45 | RF cable, PORT 2 CPLR THRU to A22 test port 2 coupler | 1 | N5230-20046 |
| W46 | RF cable, A17 MASS 26.5 to REFERENCE 1 RCVR R1 IN | 1 | N5230-20017 |
| W47 | RF cable, A17 MASS 26.5 to REFERENCE 2 RCVR R2 IN | 1 | N5230-20019 |
| W48 | RF cable, PORT 1 CPLR ARM to A21 test port 1 coupler | 1 | E8362-20020 |
| W49 | RF cable, PORT 2 CPLR ARM to A22 test port 2 coupler | 1 | E8362-20021 |
| W50 | RF cable, PORT 1 RCVR A IN to A20 mixer brick (A) | 1 | N5230-20016 |
| W51 | RF cable, REFERENCE 1 RCVR R1 IN to A20 mixer brick (R1) | 1 | N5230-20018 |
| W52 | RF cable, REFERENCE 2 RCVR R2 IN to A20 mixer brick (R2) | 1 | N5230-20020 |
| W53 | RF cable, PORT 2 RCVR B IN to A20 mixer brick (B) | 1 | N5230-20013 |
| W60 | Front-panel jumper | 6 | 08720-20098 |

Installation Procedure for the Upgrade

The network analyzer must be in proper working condition prior to installing this option. Any necessary repairs must be made before proceeding with this installation.

WARNING **This installation requires the removal of the analyzer's protective outer covers. The analyzer must be powered down and disconnected from the mains supply before performing this procedure.**

Electrostatic Discharge Protection

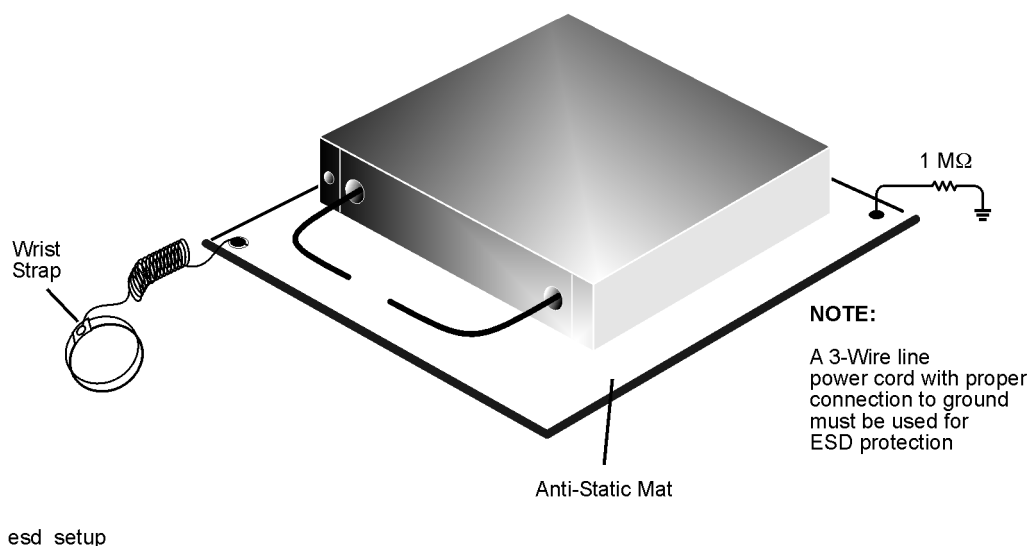
Protection against electrostatic discharge (ESD) is essential while removing or connecting cables or assemblies within the network analyzer.

Static electricity can build up on your body and can easily damage sensitive internal circuit elements when discharged. Static discharges too small to be felt can cause permanent damage. To prevent damage to the instrument:

- *always* have a grounded, conductive table mat in front of your test equipment.
- *always* wear a grounded wrist strap, connected to a grounded conductive table mat, having a 1 M Ω resistor in series with it, when handling components and assemblies or when making connections.
- *always* wear a heel strap when working in an area with a conductive floor. If you are uncertain about the conductivity of your floor, wear a heel strap.
- *always* ground yourself before you clean, inspect, or make a connection to a static-sensitive device or test port. You can, for example, grasp the grounded outer shell of the test port or cable connector briefly.

Figure 1 shows a typical ESD protection setup using a grounded mat and wrist strap. Refer to “Tools and Equipment Required for the Installation” on page 7 for part numbers.

Figure 1 **ESD Protection Setup**



Overview of the Installation Procedure

Step 1. Remove the Outer Cover.

Step 2. Remove the Front Panel Assembly.

Step 3. Remove the Existing Cables.

Step 4. Install the Step Attenuators.

Step 5. Install the New Cables.

Step 6. Replace the Lower Front Panel Overlay.

Step 7. Reinstall the Front Panel Assembly and Install the Front Panel Jumpers.

Step 8. Reinstall the Outer Cover.

Step 9. Enable Options 014 and 1E1.

Step 10. Perform Post-Upgrade Adjustments and Calibration.

Tools and Equipment Required for the Installation

| Description | Qty | Part Number |
|--|-----|-------------|
| T-10 TORX driver (set to 9 in-lbs) | 1 | N/A |
| T-20 TORX driver (set to 21 in-lbs) | 1 | N/A |
| 5/16-in torque wrench (set to 10 in-lbs) | 1 | N/A |
| 5/16-in torque wrench (set to 21 in-lbs) | 1 | N/A |
| ESD grounding wrist strap | 1 | 9300-1367 |
| 5-ft grounding cord for wrist strap | 1 | 9300-0980 |
| 2 x 4 ft conductive table mat and 15-ft grounding wire | 1 | 9300-0797 |
| ESD heel strap (for use with conductive floors) | 1 | 9300-1308 |

CAUTION Use a 5/16-in torque wrench set to 10 in-lbs on all cable connections except the front-panel cable connectors. Use a 5/16-in torque wrench set to 21 in-lbs for these connections.

Equipment Required for Post-Upgrade Adjustments

| Equipment Type | Model or Part Number | Alternate Model or Part Number |
|------------------------------------|----------------------|--------------------------------|
| Power meter | E4418B/E4419B | E4418A/E4419A |
| Power sensor, 3.5 mm | E4413A | 8485A |
| Adapter, 3.5 mm (f) to 3.5 mm (f) | 83059B | 85052-60012 |
| RF cable, 3.5 mm (f) to 3.5 mm (f) | 85131C | 85131E |

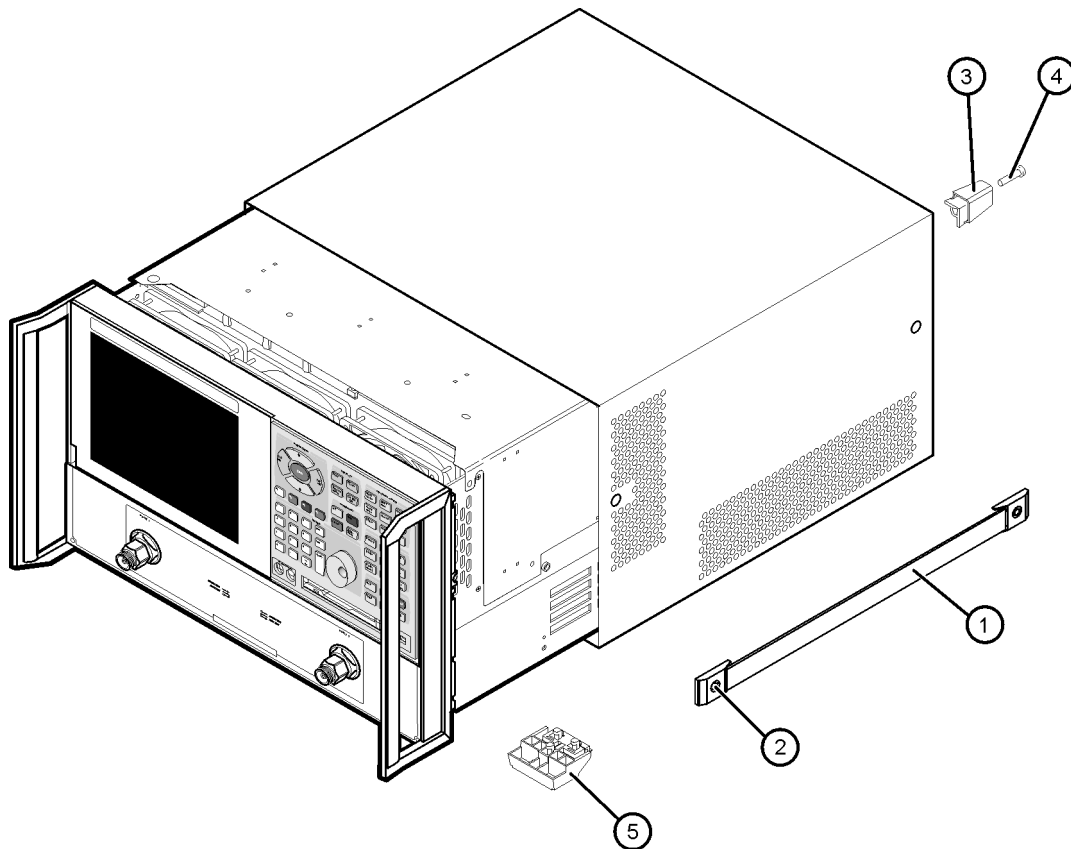
Step 1. Remove the Outer Cover

CAUTION This procedure is best performed with the analyzer resting on its front handles in the vertical position. *Do not place the analyzer on its front panel without the handles.* This will damage the front panel assemblies.

Refer to [Figure 2](#) for this procedure.

1. Disconnect the power cord (if it has not already been disconnected).
2. With a T-20 TORX driver, remove the strap handles (item ①) by loosening the screws (item ②) on both ends until the handle is free of the analyzer.
3. With a T-20 TORX driver, remove the four rear panel feet (item ③) by removing the center screws (item ④).
4. Slide the four bottom feet (item ⑤) off the cover.
5. Slide the cover off of the frame.

Figure 2 Outer Cover Removal



dt501a

Step 2. Remove the Front Panel Assembly

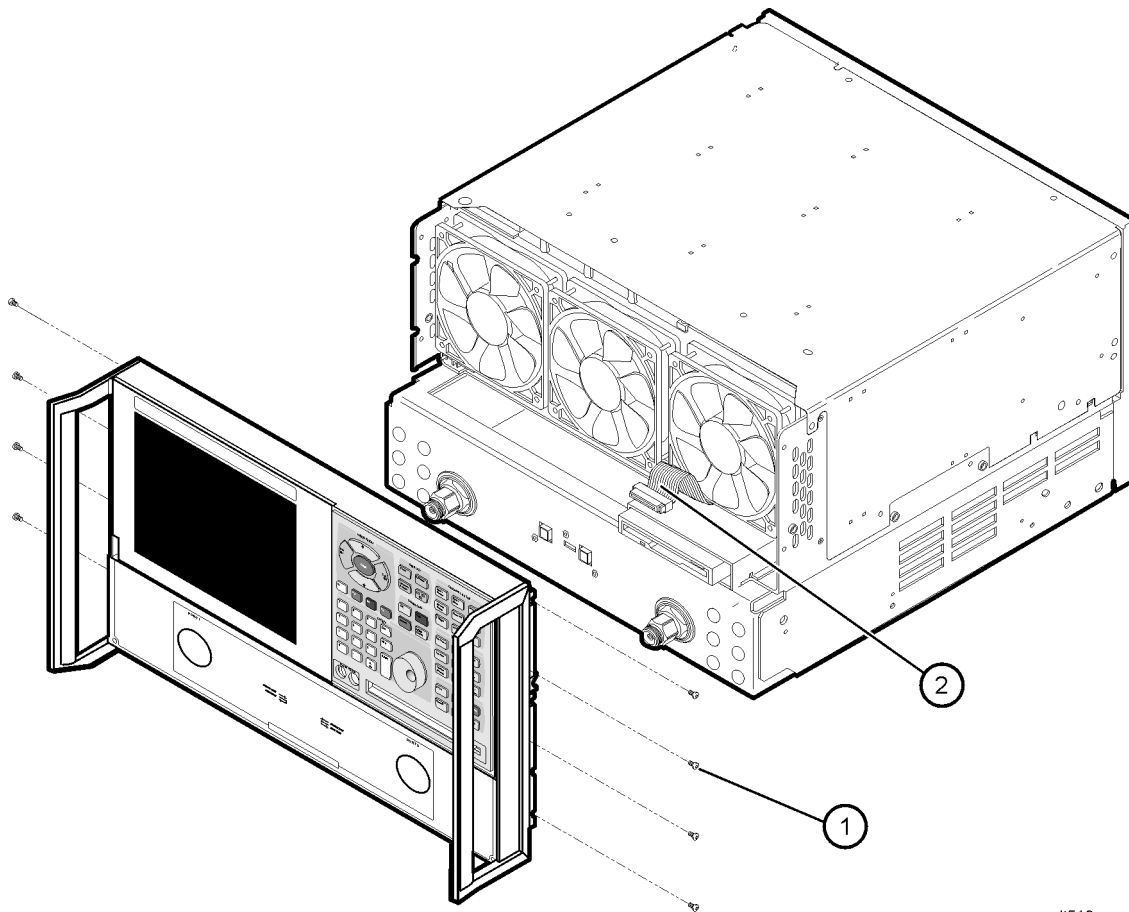
Refer to [Figure 3](#) for this procedure.

1. With a T-10 TORX driver, remove the eight screws (item ①) from the sides of the frame.

CAUTION Before removing the front panel from the analyzer, lift and support the front of the analyzer chassis.

2. Slide the front panel over the test port connectors.
3. Disconnect the front panel interface ribbon cable (item ②). The front panel is now free from the analyzer.

Figure 3 Front Panel Assembly Removal



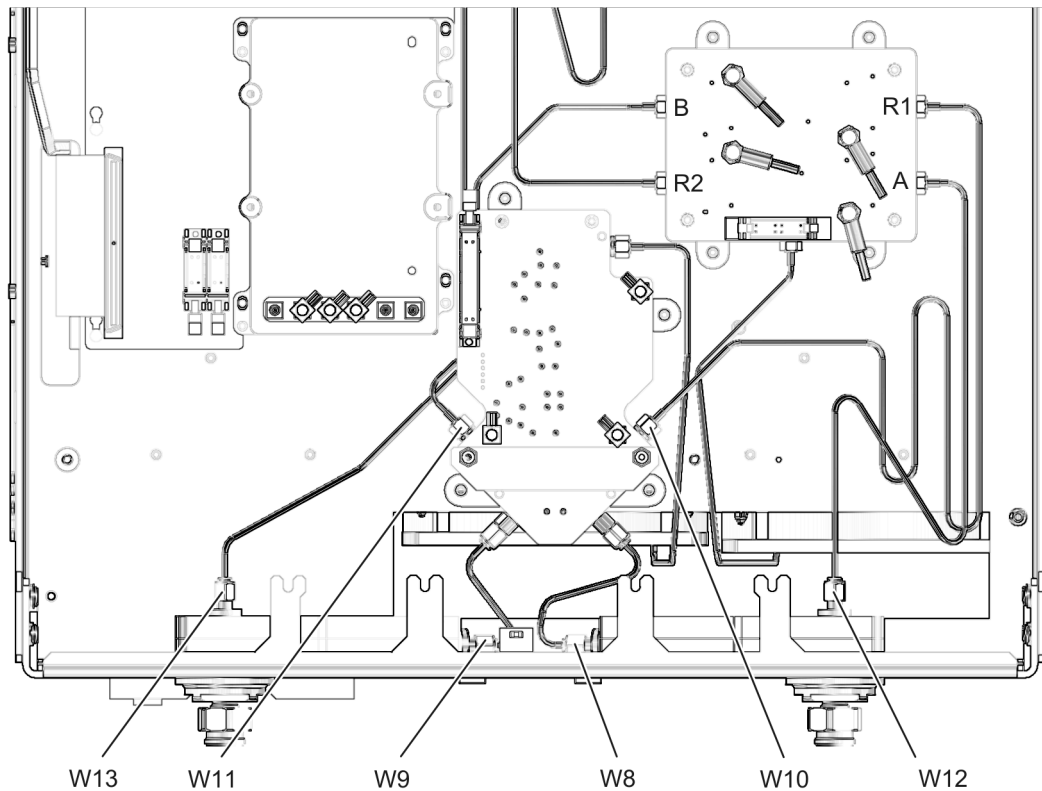
dt513a

Step 3. Remove the Existing Cables

Refer to [Figure 4](#) for this procedure.

1. Place the analyzer bottom-side up on a flat surface.
2. Remove the following cables in the order listed:
 - W8 A17 MASS 26.5 to A21 test port 1 coupler
 - W10 A17 MASS 26.5 to A20 mixer brick (R1)
 - W12 A21 test port 1 coupler to A20 mixer brick (A)
 - W9 A17 MASS 26.5 to A22 test port 2 coupler
 - W11 A17 MASS 26.5 to A20 mixer brick (R2)
 - W13 A22 test port 2 coupler to A20 mixer brick (B)

Figure 4 Old Cable Removal



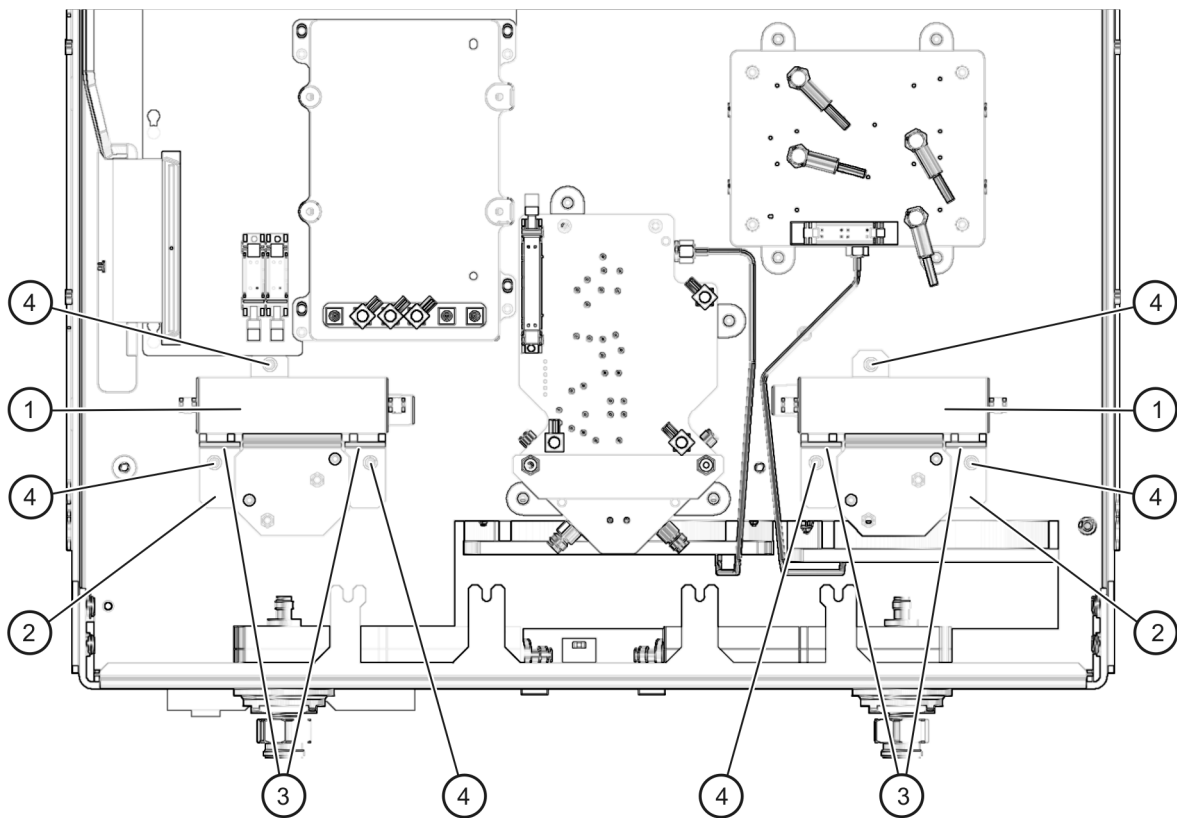
n5230_005_01

Step 4. Install the Step Attenuators

Refer to [Figure 5](#) for this procedure. New parts are listed in [Table 1 on page 5](#).

1. Attach each attenuator (item ①) to an attenuator bracket (item ②) using two screws (item ③) each. Make sure that the attenuators are oriented as shown.
2. Position the attenuators and brackets in the analyzer as shown. Attach the attenuators and brackets onto the analyzer test set deck using three screws (item ④) each.

Figure 5 Step Attenuator Installation



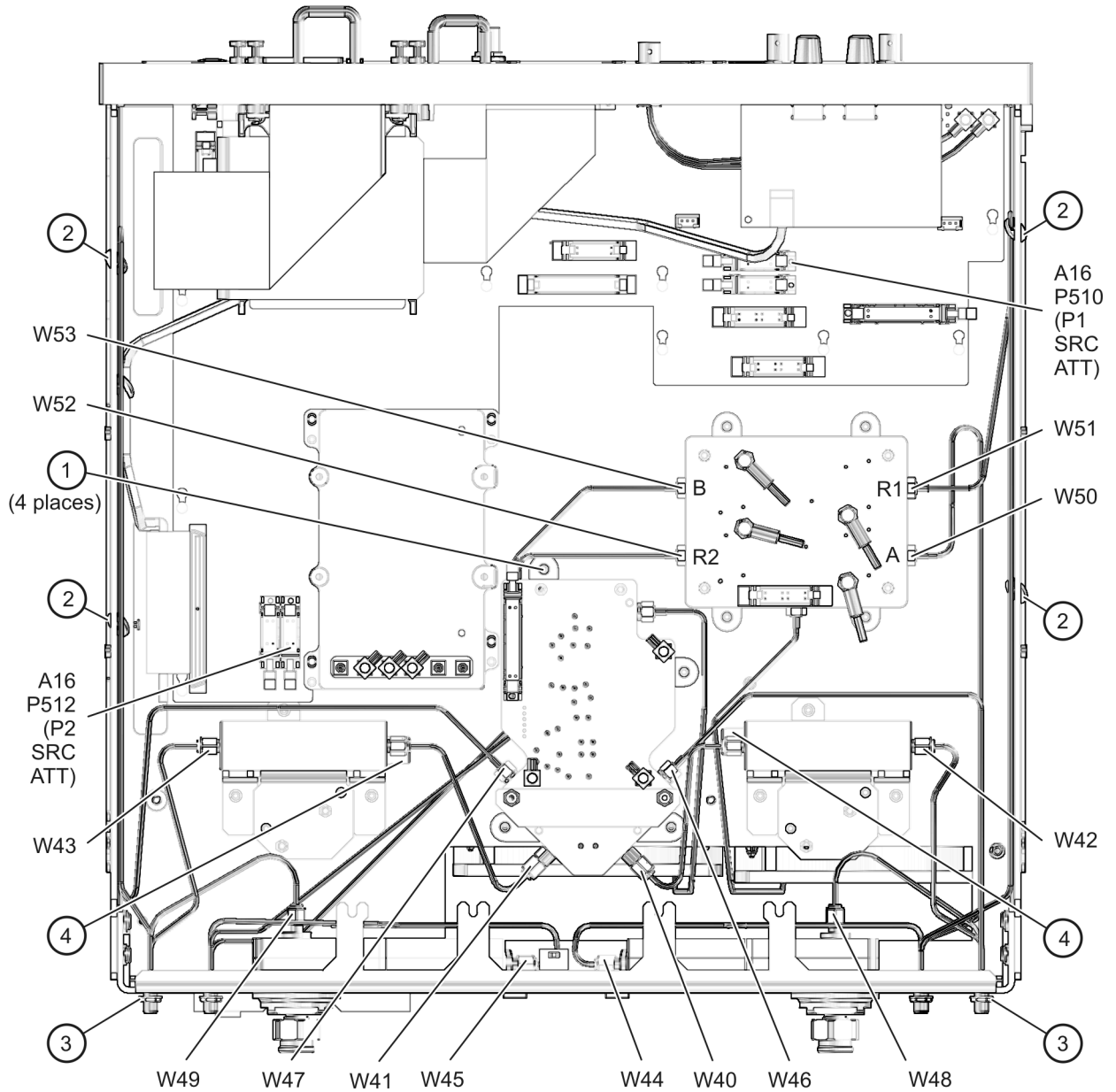
n5230_005_02

Step 5. Install the New Cables

Refer to [Figure 6](#) for the following procedure. New parts are listed in [Table 1 on page 5](#).

1. Install cables W52 and W53:
 - W52 REFERENCE 2 RCVR R2 IN to A20 mixer brick (R2)
 - W53 PORT 2 RCVR B IN to A20 mixer brick (B)
 - a. Loosen the four screws (item ①) that attach the A17 MASS 26.5 to the test set deck.
 - b. Slide cables W52 and W53 between the A17 MASS 26.5 and the test set deck. It will be necessary to move the A17 MASS 26.5 slightly to allow room for the cables.
 - c. Connect cables W52 and W53 as shown. Use a 5/16-in torque wrench set to 10 in-lbs.
 - d. Re-tighten the four screws (item ①) to secure the A17 MASS 26.5.
2. Install the following cables in the order listed. Use a 5/16-in torque wrench set to 10 in-lbs.
 - W49 PORT 2 CPLR ARM to A22 test port 2 coupler
 - W43 A26 port 2 step attenuator to PORT 2 SOURCE OUT
 - W45 PORT 2 CPLR THRU to A22 test port 2 coupler
 - W47 A17 MASS 26.5 to REFERENCE 2 RCVR R2 IN
 - W50 PORT 1 RCVR A IN to A20 mixer brick (A)
 - W48 PORT 1 CPLR ARM to A21 test port 1 coupler
 - W44 PORT 1 CPLR THRU to A21 test port 1 coupler
 - W42 A25 port 1 step attenuator to PORT 1 SOURCE OUT
 - W51 REFERENCE 1 RCVR R1 IN to A20 mixer brick (R1)
 - W46 A17 MASS 26.5 to REFERENCE 1 RCVR R1 IN
 - W41 A17 MASS 26.5 to A26 port 2 step attenuator
 - W40 A17 MASS 26.5 to A25 port 1 step attenuator
3. Secure cables W47 and W51 to the analyzer side frame using cable ties (item ②) in the locations shown.
4. Using a 5/16-in torque wrench set to 21 in-lbs, tighten the hex nuts (item ③) on all 12 front panel cable connectors.
5. Connect a ribbon cable to each of the step attenuator connectors (item ④):
 - a. The longer cable, 8121-0819, connects between the A25 step attenuator and A16P510 (P1 SRC ATT).
 - b. The shorter cable, 8121-0119, connects between the A26 step attenuator and A16P512 (P2 SRC ATT).

Figure 6 New Cable Installation



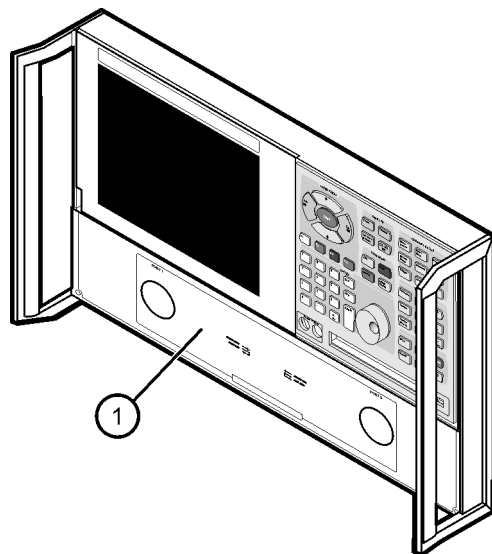
n5230_005_03

Step 6. Replace the Lower Front Panel Overlay

Refer to [Figure 7](#) for this procedure. New parts are listed in [Table 1 on page 5](#).

1. From the back side of the front panel, use a blunt object in one of the cutouts in the lower frame to push the overlay (item ①) and separate it from the front panel.
2. From the front side of the front panel, pull off the overlay completely and discard it.
3. Remove any adhesive remaining on the front panel.
4. Remove the protective backing from the new front panel overlay (item ①).
5. Starting from either the left or right side, *loosely* place the overlay in the recess on the lower front panel, ensuring that it fits tightly against the edges of the recess.
6. Once the overlay is in place, press it firmly onto the frame to secure it.

Figure 7 Lower Front Panel Overlay Replacement



dt519a

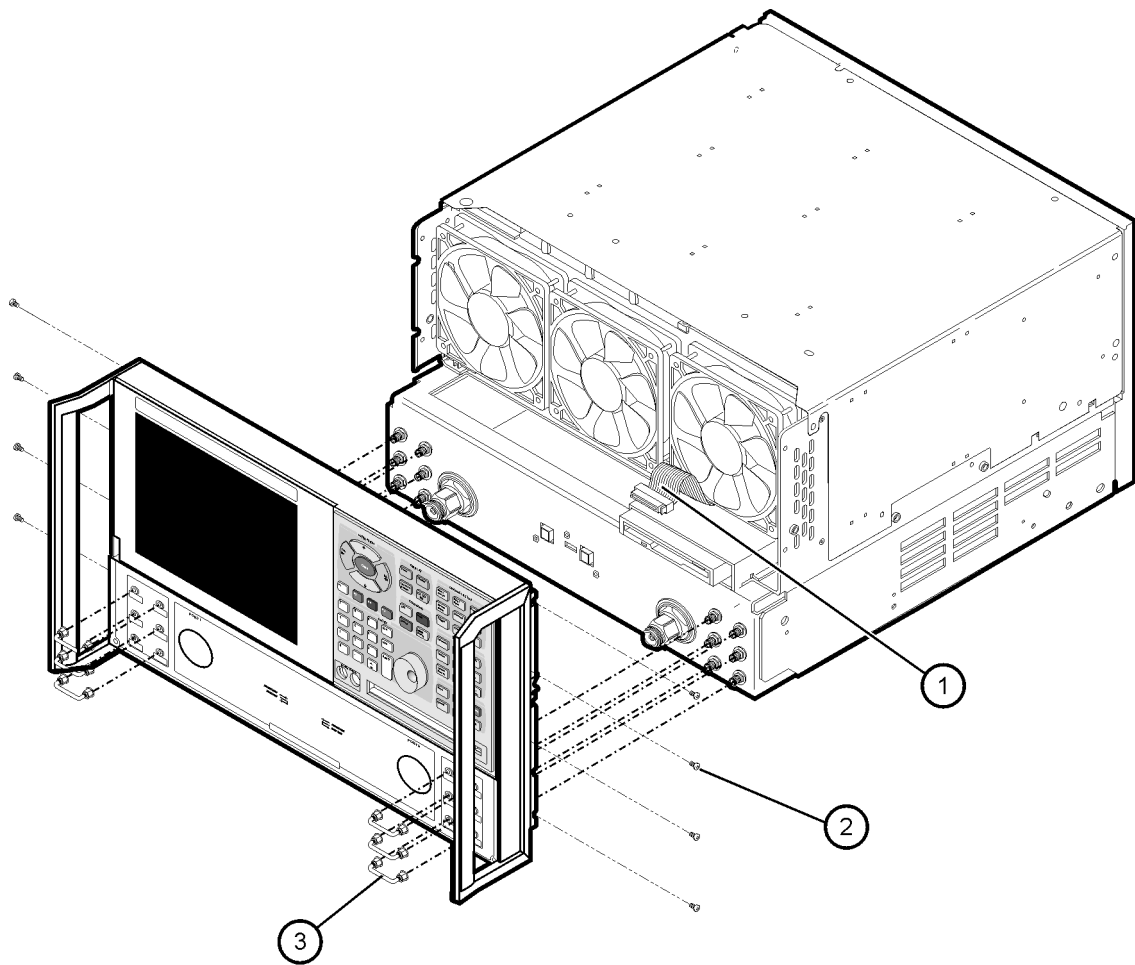
Step 7. Reinstall the Front Panel Assembly and Install the Front Panel Jumpers

CAUTION Before installing the front panel assembly onto the analyzer, lift and support the front of the analyzer chassis.

Refer to [Figure 8](#) for this procedure. New parts are listed in [Table 1 on page 5](#).

1. Make sure all 12 of the hex nuts on the front-panel cable connectors have been tightened using a 5/16-in torque wrench set to 21-in lbs.
2. Reconnect the ribbon cable (item ①) to the A3 front panel interface board.
3. Slide the front panel over the test port connectors being careful to align the power switch and floppy disk drive to their corresponding front panel cutouts. Ensure that the ribbon cable (item ①) is located below the fan to prevent it from being damaged by the fan blades.
4. With a T-10 TORX driver, install the eight screws (item ②) in the sides of the frame.
5. Install the six semirigid jumpers (item ③) on the front panel, and tighten to 10-in lbs.

Figure 8 Front Panel Assembly Reinstallation



dt511a

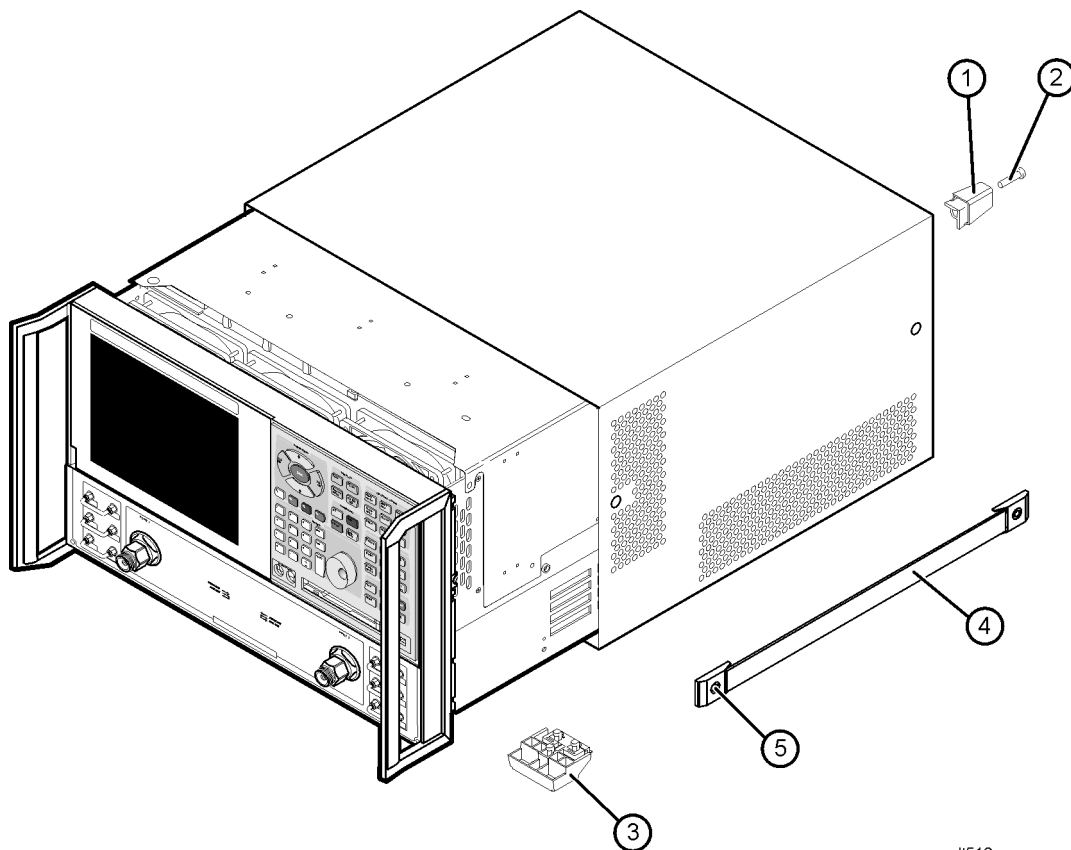
Step 8. Reinstall the Outer Cover

CAUTION This procedure is best performed with the analyzer resting on its front handles in the vertical position. *Do not place the analyzer on its front panel without the handles.* This will damage the front panel assemblies.

Refer to [Figure 9](#) for this procedure.

1. Slide the cover over the analyzer frame.
2. With a T-20 TORX driver, install the four rear panel feet (item ①) by installing the center screws (item ②).
3. Slide the four bottom feet (item ③) into position on the cover.
4. With a T-20 TORX driver, install the strap handles (item ④) by installing the screws (item ⑤) on both ends of the handles.

Figure 9 Outer Cover Reinstallation



Step 9. Enable Options 014 and 1E1

Procedure Requirements

- The analyzer must be powered up and operating to perform this procedure.
- The Network Analyzer program must be running.
- A mouse must be connected to the analyzer for this procedure.

Option Enable Procedure

1. On the analyzer's **System** menu, point to **Service**, and then click **Option Enable**.
2. In the **Select Desired Option** list, click **014 - Configurable Test Set**. Click **Enable**.
3. In the **Select Desired Option** list, click **1E1 - Source Attenuators**. Click **Enable**.
4. Click **Yes** in answer to the displayed question in the **Restart Analyzer?** box.
5. When the installation is complete, click **Exit**.

Option Verification Procedure

Once the analyzer has restarted and the Network Analyzer program is again running:

1. On the analyzer's **Help** menu, click **About Network Analyzer**.
2. Verify that "014" and "1E1" are listed after "Options:" in the display. Click **OK**.

| | |
|-------------|--|
| NOTE | If Options 014 and 1E1 have not been enabled, perform the " Option Enable Procedure " again. If the options are still not enabled, contact Agilent Technologies. Refer to " Getting Assistance from Agilent " on page 3. |
|-------------|--|

Step 10. Perform Post-Upgrade Adjustments and Calibration

Adjustments

The following adjustments must be made due to the hardware changes of the analyzer.

- source calibration
- receiver calibration

These adjustments are described in the PNA service guide and in the PNA on-line HELP. A list of equipment required to perform these adjustments can be found at [“Equipment Required for Post-Upgrade Adjustments” on page 7](#).

Calibration

The analyzer should now operate and phase lock over its entire frequency range.

If you experience difficulty with the basic functioning of the analyzer, contact Agilent. Refer to [“Getting Assistance from Agilent” on page 3](#).

- Although the analyzer functions, its performance relative to its specifications has not been verified.
- It is recommended that a full instrument calibration be performed using the N2721A performance test software.
- Refer to the analyzer’s service guide for information on the performance test software.